

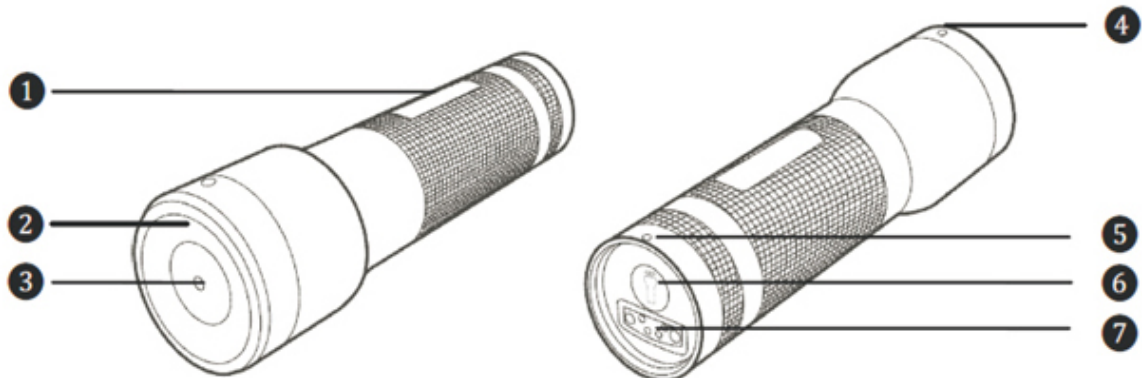
RFID Guard Tour System With LED Lighting



GTP-6600

Specifications

S4A Model No.	GTP-6600	Communication	Magnetic USB cable
Flashlight	High/Medium/Low/Strobe/SOS	Battery	3.7v built-in rechargeable li-ion battery
Reading technology	Read 125kHz EM(ID) tags proximity	Prompt	LED + Vibration
Material	Aluminum alloy	Standard accessories	USB cable, charger, software
Storage	80,000 pieces	Baud rate	115200 bps
Impact record	32,000 pieces	Performance	IP67, waterproof, shockproof
Workable temperature	-20°C ~70°C	Dimension	130mm x 28mm
Workable humidity	30%~90%	Net weight	120g



- ① Label area ② RFID Sensor ③ LED lamp ④ LED Indicator
- ⑤ Lanyard hole ⑥ Lighting switch ⑦ Magnetic Popo Pin USB Por

